

X EXTENSION TUBE (9MM)

DATASHEET

Mount the extension tube between the lens and the camera to achieve macro photography. Up to two extension tubes can be added at the same time to further shorten the focus distance.

Note that when the lens is mounted with the extension tube, it is used for macro photography only and cannot successfully focus on the subject from a distance.

PHYSICAL EXTENSION TUBE DATA

Diameter	74.8mm (excluding the release button) 77mm (including the release button)
Length (distance between the two mount flanges)	9mm
Weight	Approx. 89g

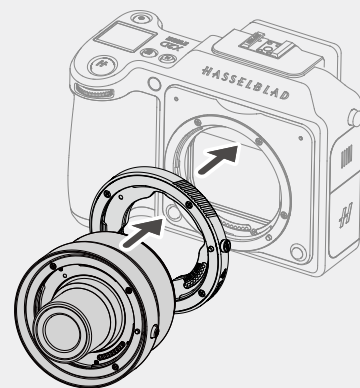
COMPATIBILITY

- Hasselblad XCD lenses
- Hasselblad X System cameras & 907X cameras



EXTENSION TUBE & X CONVERTER

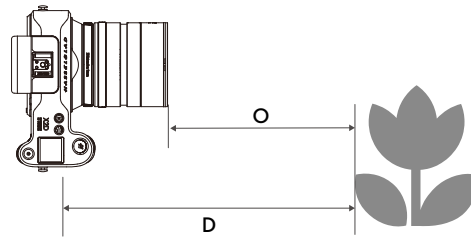
When using with the XCD 2,8/135 and X Converter 1,7, the extension tubes should be mounted between the camera body and converter.



When using the extension tube, the image quality and the actual aperture of the lens may be reduced.

X EXTENSION TUBE (9MM)

- D Subject to sensor distance
- O Subject to lens distance
- m Magnification



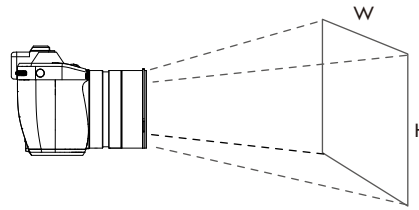
XCD Lens	Focus Setting (m) (without extension tube)	Single 9mm Extension Tube			Two 9mm Extension Tubes		
		D (mm)	O (mm)	m	D (mm)	O (mm)	m
XCD 21	∞	168	40	0.41	151	14	0.83
	0.32	157	29	0.59	147	10	1.01
XCD 25V	∞	188	61	0.35	161	25	0.70
	0.25	162	35	0.53	152	16	0.90
XCD 28P	∞	174	103	0.31	137	57	0.62
	0.22	127	56	0.52	116	36	0.88
XCD 30	∞	214	104	0.29	170	51	0.58
	0.4	192	78	0.40	168	45	0.69
XCD 38V	∞	278	188	0.23	202	103	0.46
	0.3	180	90	0.43	159	60	0.70
XCD 45	∞	340	243	0.20	237	131	0.40
	0.4	248	144	0.36	212	99	0.56
XCD 45P	∞	348	274	0.19	238	155	0.39
	0.35	239	156	0.39	208	116	0.58
XCD 55V	∞	505	411	0.16	336	233	0.32
	0.45	290	196	0.34	248	145	0.52
XCD 65	∞	611	496	0.14	385	261	0.28
	0.5	356	228	0.32	305	168	0.46
XCD 75P	∞	823	725	0.12	520	413	0.24
	0.55	400	302	0.31	346	239	0.45
XCD 80	∞	909	775	0.11	557	414	0.22
	0.7	493	345	0.27	416	259	0.38
XCD 90	∞	1115	993	0.10	674	543	0.20
	0.7	514	392	0.28	439	308	0.39
XCD 90V	∞	1140	1023	0.10	703	577	0.20
	0.67	503	386	0.29	438	312	0.41
XCD 120	∞	1862	1690	0.07	1071	890	0.15
	0.43	413	241	0.61	401	220	0.72
XCD 135	∞	2212	2041	0.07	1242	1062	0.14
	1.0	794	623	0.24	685	505	0.31
XCD 135 + 1,7x	∞	6006	5789	0.04	3188	2962	0.08
	1.05	964	747	0.34	903	677	0.38
XCD 20-35 (20)	∞	174	35	0.43	159	11	0.87
	0.32	160	21	0.56	154	6	1.03
XCD 20-35 (35)	∞	262	123	0.26	206	58	0.53
	0.32	202	63	0.44	183	35	0.73
XCD 35-75 (35)	∞	297	130	0.25	234	58	0.50
	0.42	235	68	0.40	211	35	0.67
XCD 35-75 (75)	∞	768	601	0.12	479	303	0.25
	0.6	405	238	0.29	341	165	0.42

X EXTENSION TUBE (9MM)

W Covered area width (mm)

H Covered area height (mm)

m Magnification



XCD Lens	Focus Setting (m) (without extension tube)	Single 9mm Extension Tube			Two 9mm Extension Tubes		
		W (mm)	H (mm)	m	W (mm)	H (mm)	m
XCD 21	∞	231	173	0.41	207	156	0.83
	0.32	216	162	0.59	202	152	1.01
XCD 25V	∞	196	143	0.35	167	122	0.70
	0.25	168	123	0.53	158	116	0.90
XCD 28P	∞	206	158	0.31	162	124	0.62
	0.22	150	115	0.52	138	106	0.88
XCD 30	∞	225	171	0.29	178	136	0.58
	0.4	202	154	0.40	177	135	0.69
XCD 38V	∞	250	185	0.23	181	134	0.46
	0.3	162	120	0.43	143	106	0.70
XCD 45	∞	238	179	0.20	166	124	0.40
	0.4	174	130	0.36	148	111	0.56
XCD 45P	∞	229	169	0.19	157	116	0.39
	0.35	157	116	0.39	137	101	0.58
XCD 55V	∞	314	236	0.16	209	157	0.32
	0.45	181	135	0.34	154	116	0.52
XCD 65	∞	293	220	0.14	185	139	0.28
	0.5	171	128	0.32	146	110	0.46
XCD 75P	∞	389	284	0.12	246	180	0.24
	0.55	189	138	0.31	163	119	0.45
XCD 80	∞	364	273	0.11	223	167	0.22
	0.7	197	148	0.27	166	125	0.38
XCD 90	∞	433	316	0.10	262	191	0.20
	0.7	199	146	0.28	170	124	0.39
XCD 90V	∞	423	326	0.10	261	201	0.20
	0.67	187	144	0.29	163	125	0.41
XCD 120	∞	3811	2858	0.07	2192	1644	0.15
	0.43	845	634	0.61	821	615	0.72
XCD 135	∞	575	420	0.07	323	236	0.14
	1.0	206	151	0.24	178	130	0.31
XCD 135 + 1,7x	∞	858	629	0.04	455	334	0.08
	1.05	138	101	0.34	129	95	0.38
XCD 20-35 (20)	∞	256	190	0.43	234	174	0.87
	0.32	235	175	0.56	226	168	1.03
XCD 20-35 (35)	∞	229	172	0.26	180	135	0.53
	0.32	177	133	0.44	160	120	0.73
XCD 35-75 (35)	∞	262	198	0.25	206	156	0.50
	0.42	207	157	0.40	186	141	0.67
XCD 35-75 (75)	∞	358	269	0.12	224	168	0.25
	0.6	189	142	0.29	159	119	0.42